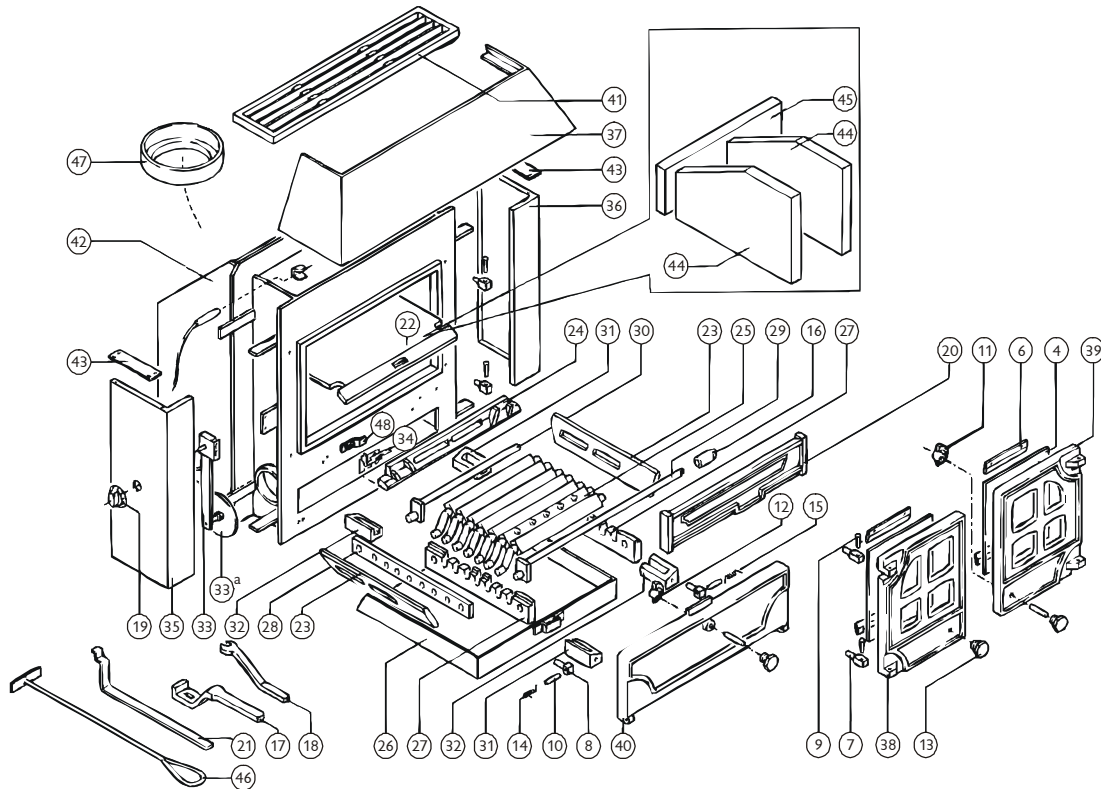


Parts List



Item	Part No.	Description	Item	Part No.	Description
*	008/EW35R	R.H. Door Seal .....	33	008/BW49	Thermostat C/W Flap .....
*	008/EW36	Ashpit Door Seal .....	33a	008/BW57	Thermostat Flap 90mm dia .....
*	008/EW35S	Door Seal Set Inc Adhesive .....	34	004/BW46	Over Run Catch .....
*	008/FW29	Door Seal Adhesive .....	35	005/FW05L#	Side Panel L.H. ....
*	008/EW44/S	Glass Channel (Set Of 8) .....	36	005/FW05R#	Side Panel R.H. ....
*	008/EW35L	L.H. Door Seal .....	37	005/FW06#	Hood Panel .....
4	006/FW30	Glass (inc. Glass Channel) .....	38	003/EW01#	Door L.H. ....
6	004/EW23	Glazing Bar .....	39	003/EW02#	Door R.H. ....
7	008/FW27	Hinge Post Main Door .....	40	003/FW03#	Ashpit Door .....
8	008/FW28	Hinge Post A/P Door .....	41	003/FW04#	Top Grid .....
9	008/BW39/S	Hinge Pin Set (4 per set) .....	42	001/HW10	Firebox (CW20i) .....
10	008/BW40/S	Hinge Pin A/P Door Set .....	43	008/FW46/A	Hood Fixing Kit .....
11	008/BW41/A	Door Catch Assembly R.H. ....	44	011/HW08	Firebrick Side .....
12	008/BW42/A	Door Catch Assembly Ashpit .....	45	011/HW09	Firebrick Rear .....
13	002/BW12	Door Knob L.H. ....	45a	011/HW09S	Set Of Firebricks .....
14	008/BW43L	Ashpit Door Spring L.H. ....	46	012/FW34	Scraper Tool .....
15	008/BW43R	Ashpit Door Spring R.H. ....	47	002/FW49	Cast Iron Flue Adaptor (Opt'l Extra) .....
16	002/CG06	Riddler Knob .....	48	012/BW45	Ashpit Door Bracket .....
17	002/BW20	Riddler/Ashpan Tool .....	49*	010/EW51	Ash Carrier (Optional Extra) .....
18	002/BW26	Door Opening Tool .....			
19	008/BW50	Thermostat Knob .....			
20	002/FW07	Front Firebar .....			
21	008/FW33	Throatplate Tool .....			
22	002/HW31	Throat Plate .....			
23	002/HW15	Side Fire Plate .....			
24	002/HW16	Back Fire Plate .....			
25	002/CG01	Bottom Grate Bar .....			
25a	002/CG01S7	Set Of Grate Bars (7per set) .....			
26	004/EW17	Ashpan .....			
27	002/HW30	Carrier Bar .....			
28	012/HW33	Mover Bar .....			
29	012/FW14	Riddler Rod .....			
30	012/CG05	Idler Rod .....			
31	002/CG07	Carrier Bar Support L.H. ....			
32	002/CG08	Carrier Bar Support R.H. ....			

\* These items are not shown on the drawing.



To obtain spare parts please contact your local stockist giving Model, Part No. and Description. In case of difficulty contact the manufacturer at the address shown. This drawing is for identification purposes only.

**CHARNWOOD** Bishops Way, Newport, Isle of Wight PO30 5WS, United Kingdom

T: +44 (0)1983 537777 F: +44 (0)1983 537788 charnwood@ajwells.co.uk www.charnwood.com